



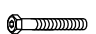
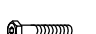



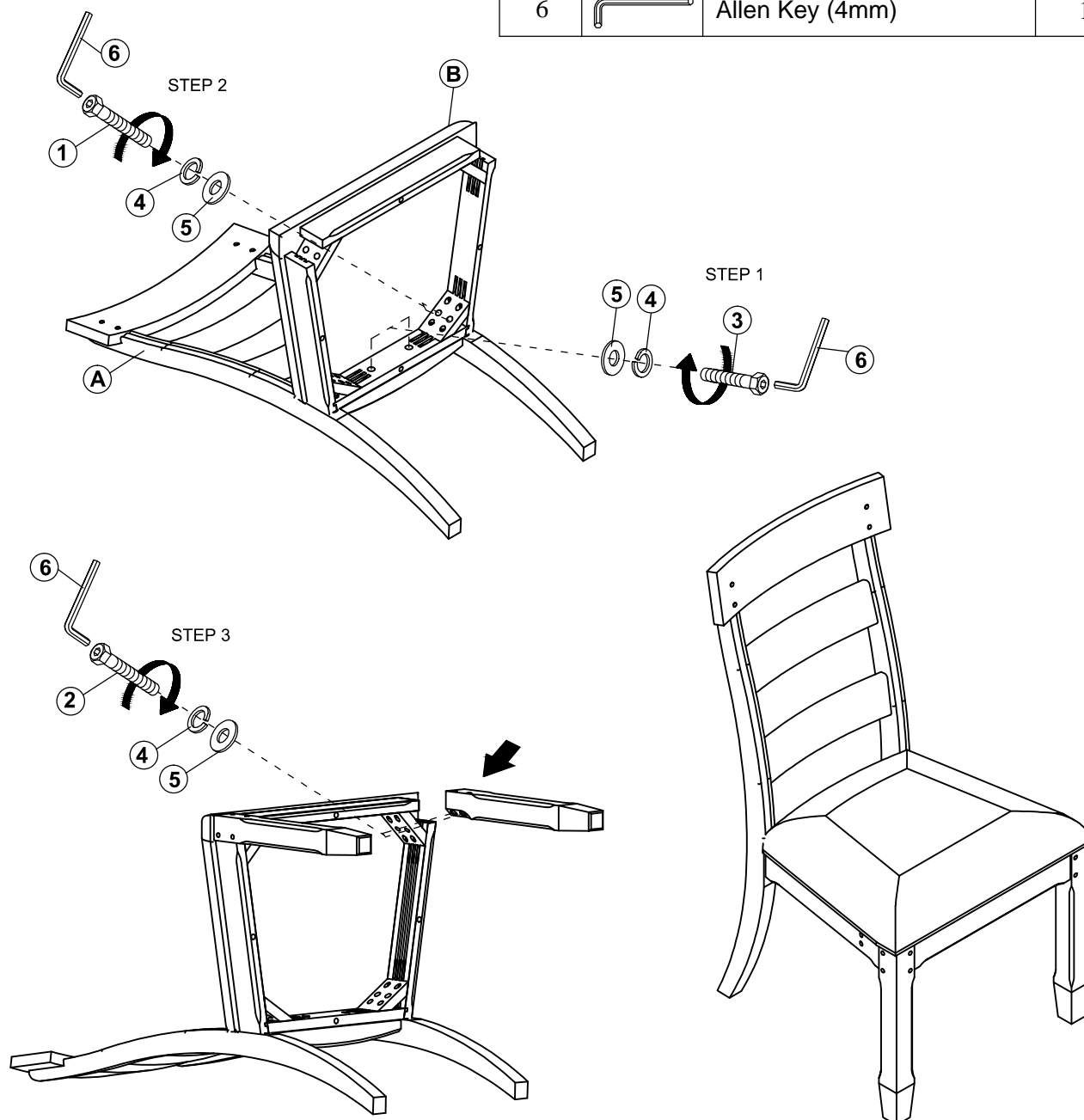


ASSEMBLY INSTRUCTIONS

OZA-MA-2-45-K

NO.	Parts List		Q' TY
A		ChairBack	1
B		Chair Seat	1
C		Front Leg	2

NO.	Hardware list		Q'TY
1		5/16"*3-1/8" Allen Bolts	4
2		5/16"*2" Allen Bolts	4
3		5/16"*1-9/16" Allen Bolts	2
4		Spring Washers (8mm)	10
5		Flat Washers (8*19*2mm)	10
6		Allen Key (4mm)	1



MADE IN VIETNAM