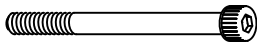



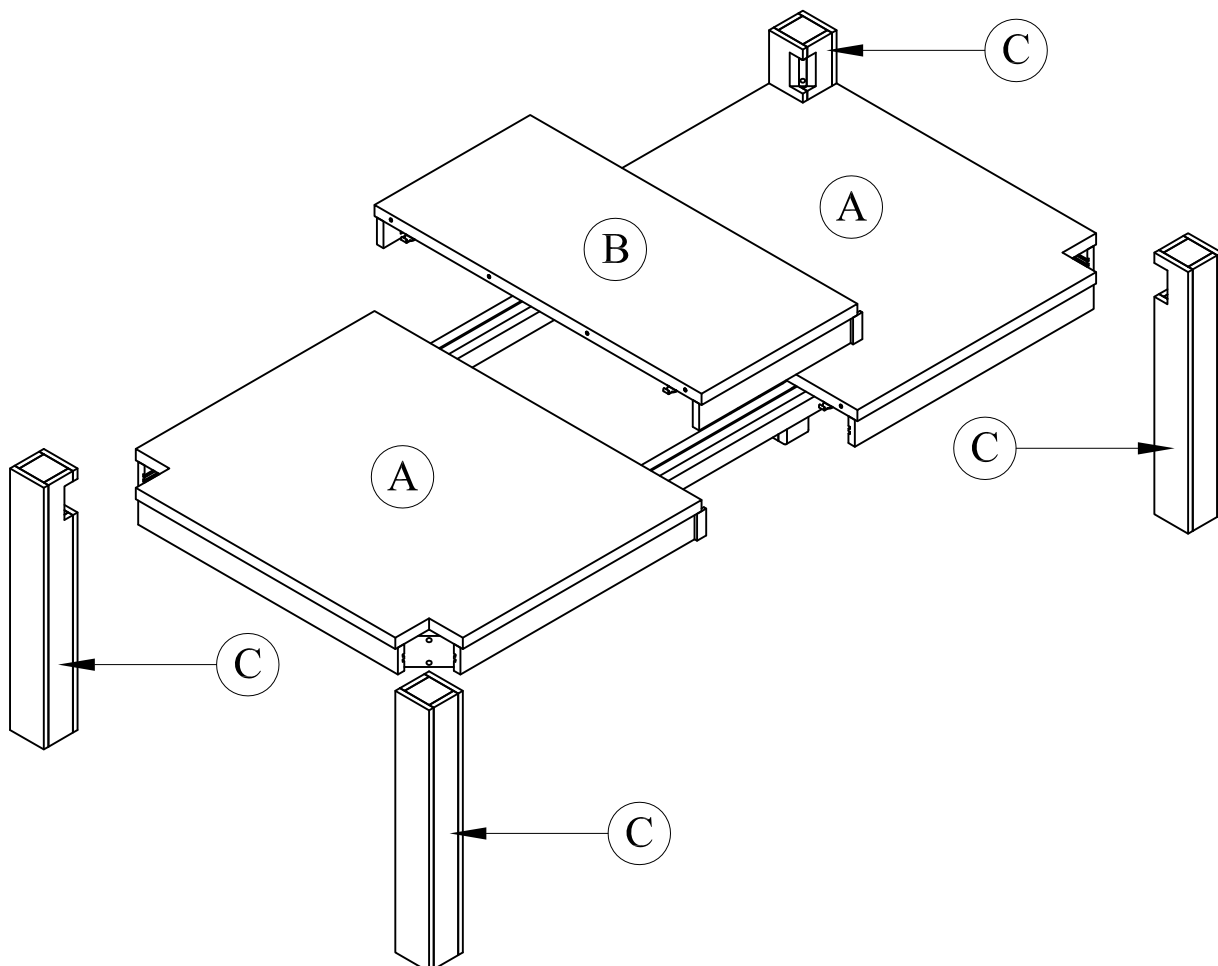


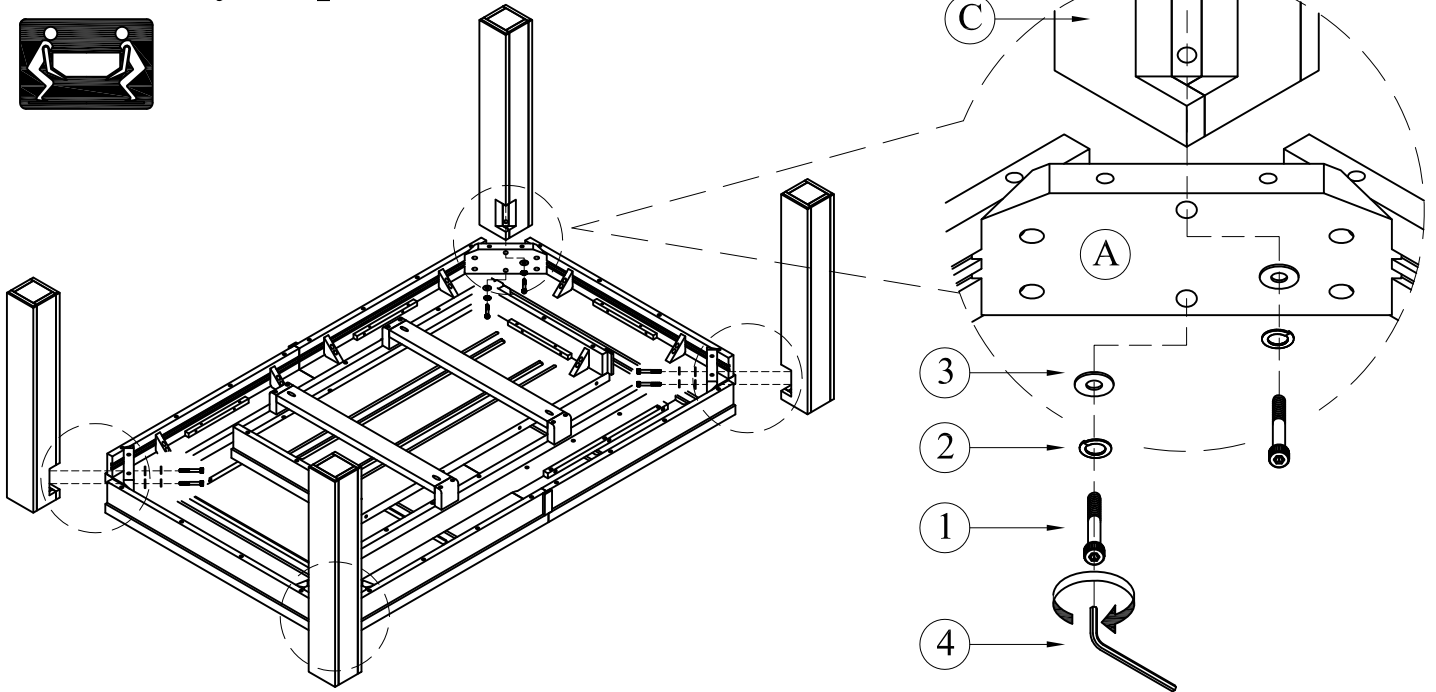
Thank you for purchasing this quality product. Be sure to check all packing material carefully for small parts, which may have come loose inside the carton during shipment. Identify and count all parts and compare with the Hardware List below.

	No.	Description	Qty
<b>ANACORTES LEG TABLE</b>	A	Table top	1
	B	Table extension	1
	C	Legs	4

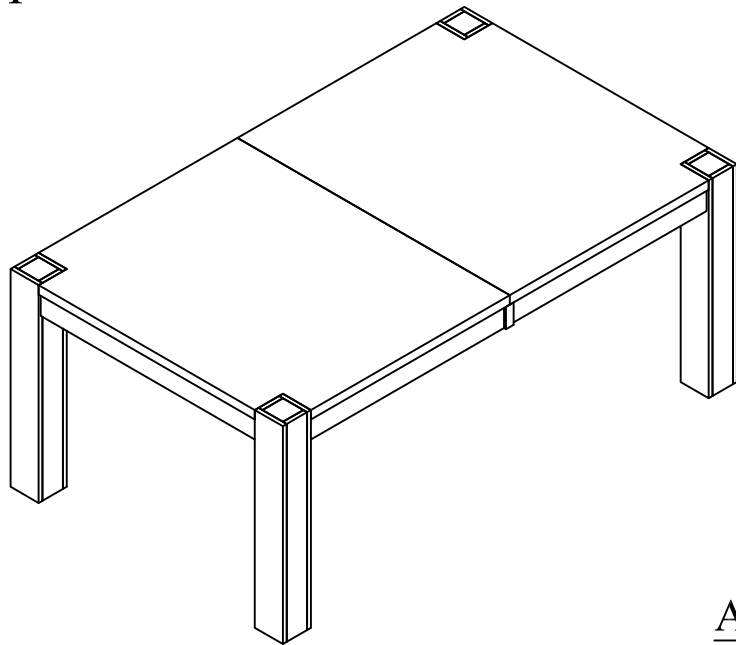
	No.	Picture	Description	Dimension	Qty
<b>HARDWARE</b>	1		Machine bolt	M8 x 60 mm	8
	2		Lock washer	Ø13xØ8x2 mm	8
	3		Flat washer	Ø18xØ8x2 mm	8
	4		Allen key	L6	1



## Assembly step 1

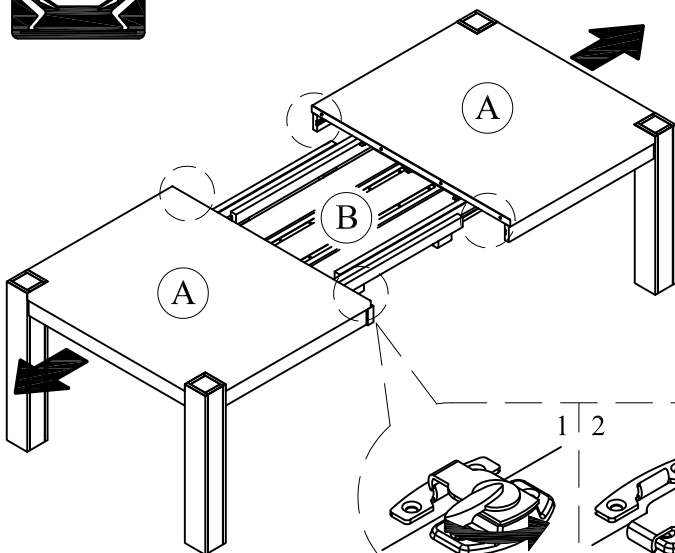


## Assembly step 2



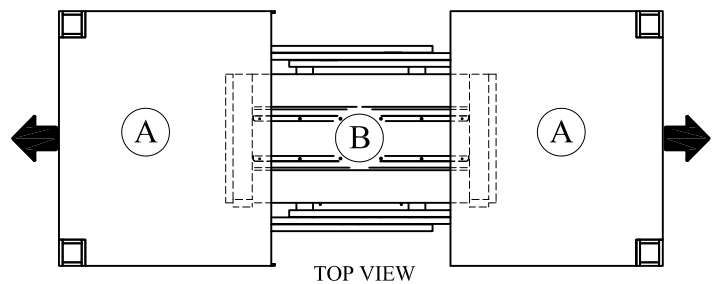
**Assembly Completed**  
( without table extension )

## Assembly step 3

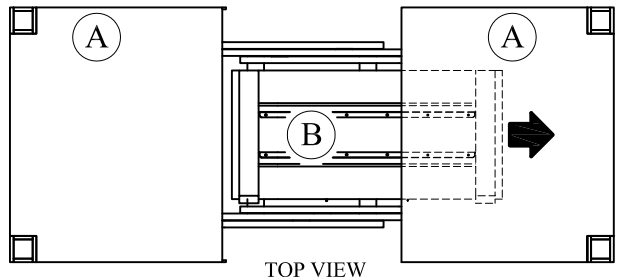


Step 3.1  
Release all the leaf lock

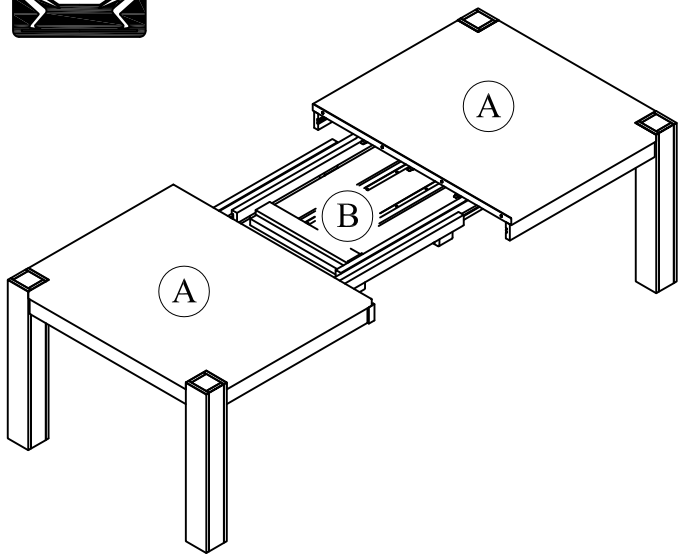
Step 3.2  
Open up the table top by pulling the ends apart.



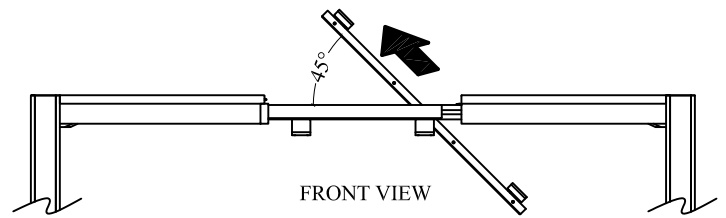
Step 3.3  
move extension table in the direction of the arrow.



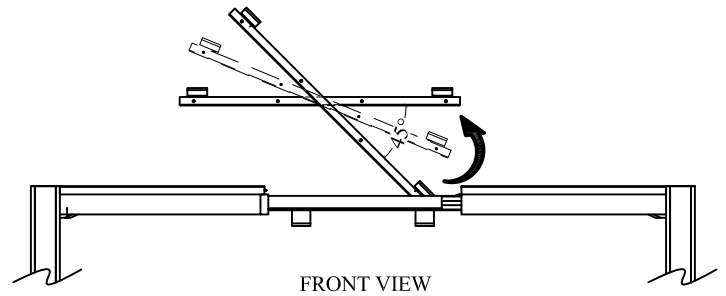
## Assembly step 4



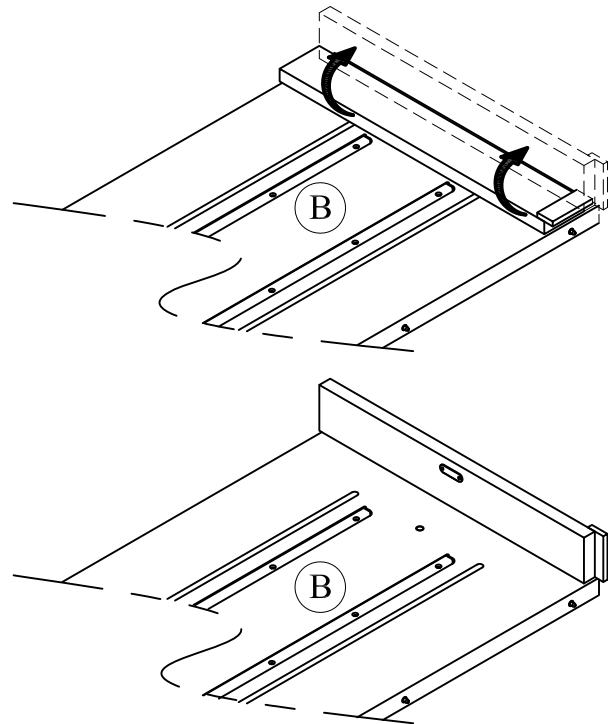
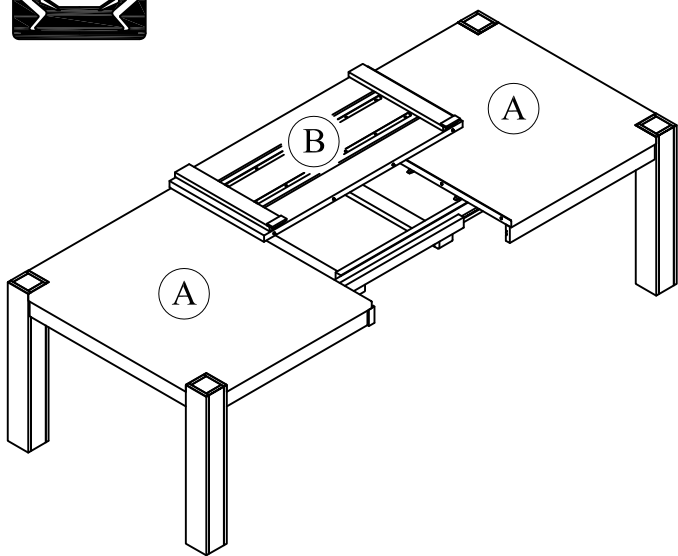
Step 4.1  
table extension in a position  $\angle 45^\circ$ , and pull out table extension.



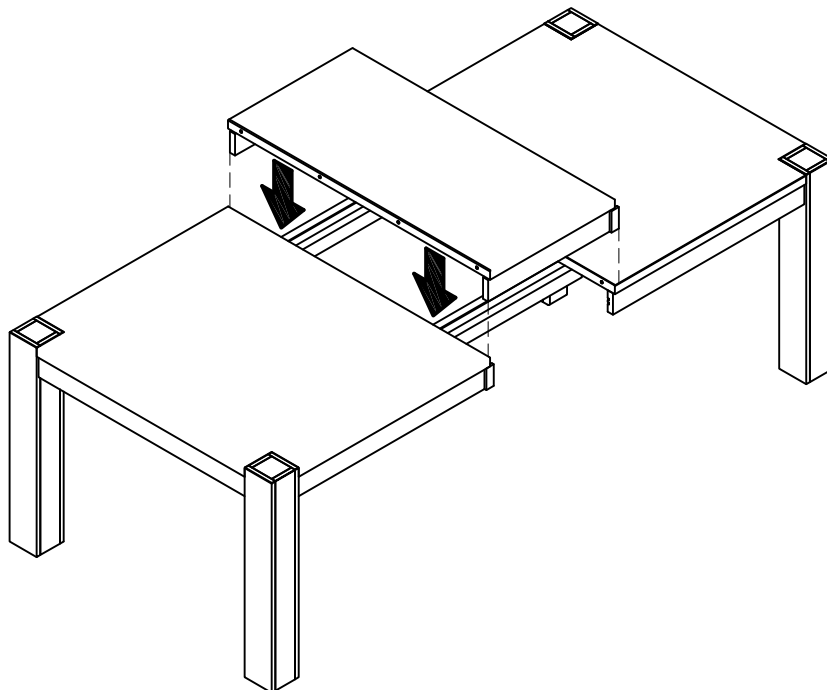
Step 4.2  
table extension in a flat position.



## Assembly step 5



## Assembly step 6

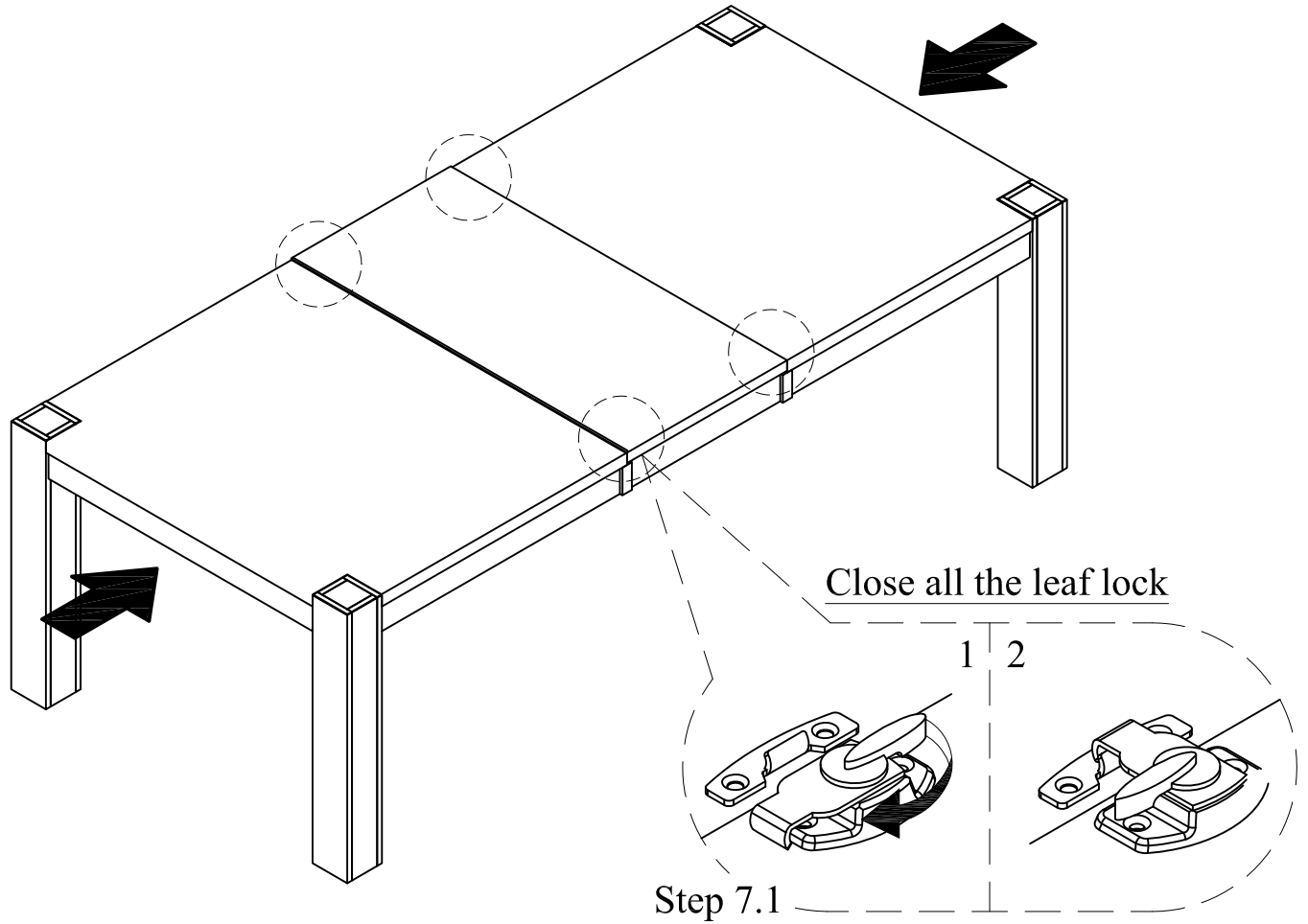


## Assembly step 7

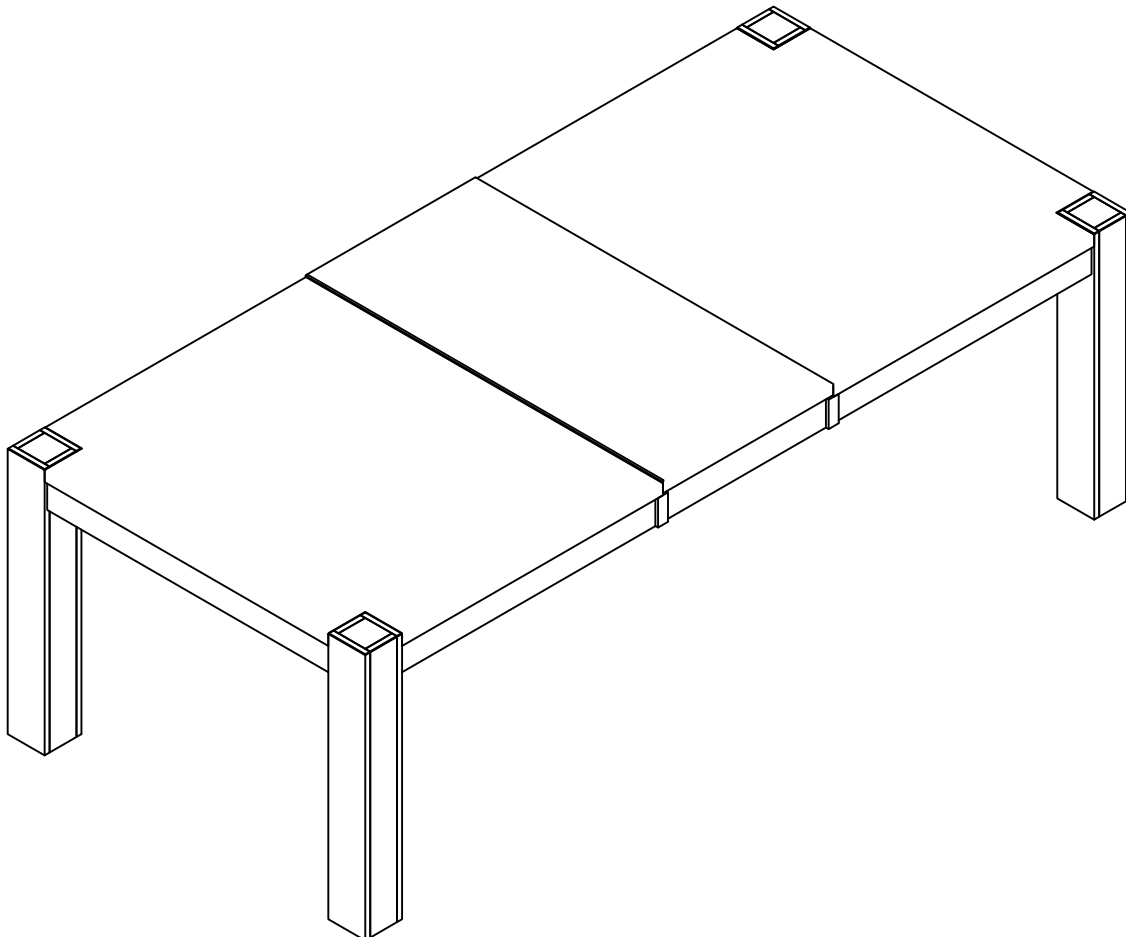


### Step 7.2

push the table top until all pins close.



## Assembly step 8



Assembly Completed  
( with table extension )