
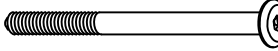
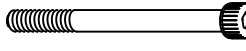



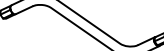

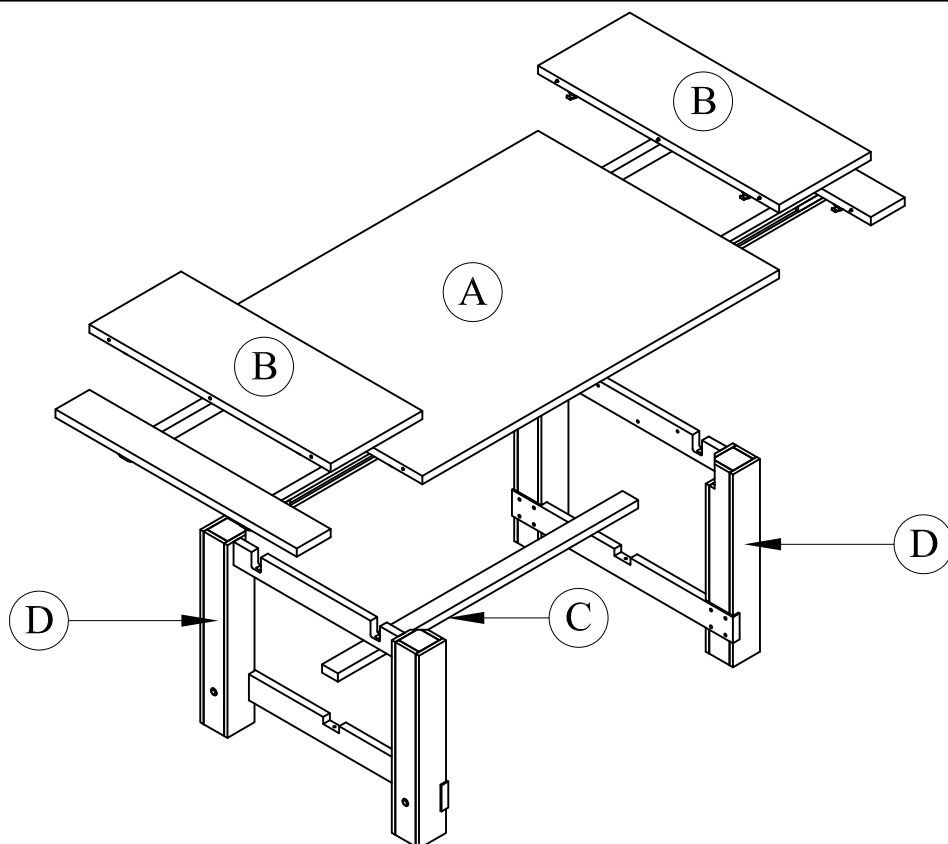


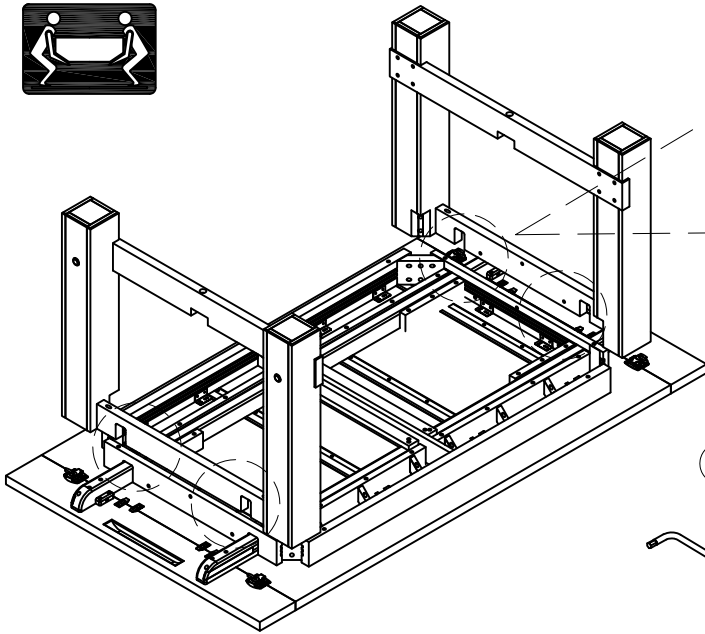
Thank you for purchasing this quality product. Be sure to check all packing material carefully for small parts, which may have come loose inside the carton during shipment. Identify and count all parts and compare with the Hardware List below.

ANACORTES TRESTLE TABLE	No.	Description	Qty
	A	Table top	1
	B	Table extension	2
	C	Stretcher	1
	D	Legs	2

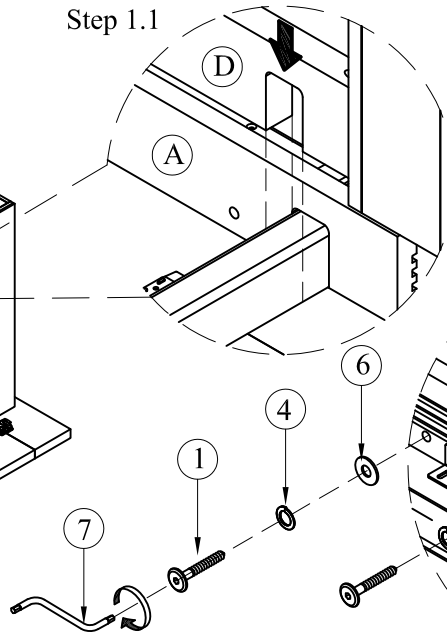
HARDWARE	No.	Picture	Description	Dimension	Qty
	1		Short bolt	M6 x 45 mm	6
	2		Long bolt	M6 x 80 mm	2
	3		Machine bolt	M8 x 60 mm	8
	4		Lock washer	Ø13xØ8x2 mm	16
	5		Thick flat washer	Ø20xØ8x2 mm	8
	6		Thin flat washer	Ø16xØ6,5x1 mm	8
	7		Z - Allen key	L4	1
	8		Allen key	L6	1



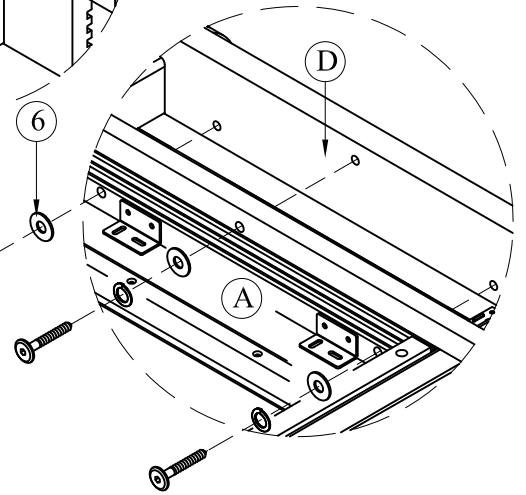
Assembly step 1



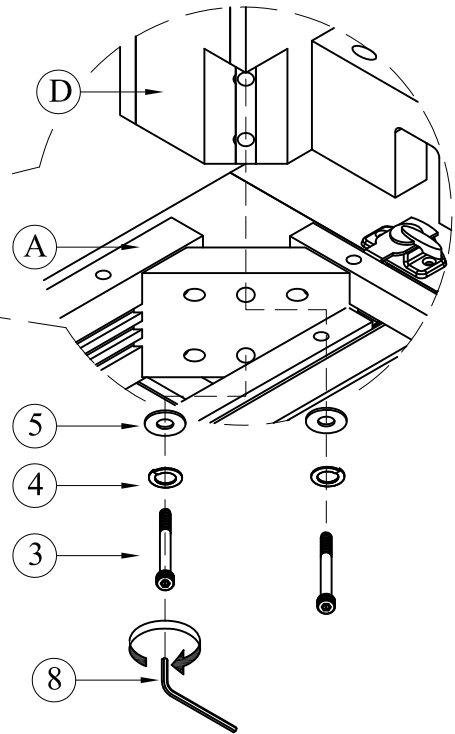
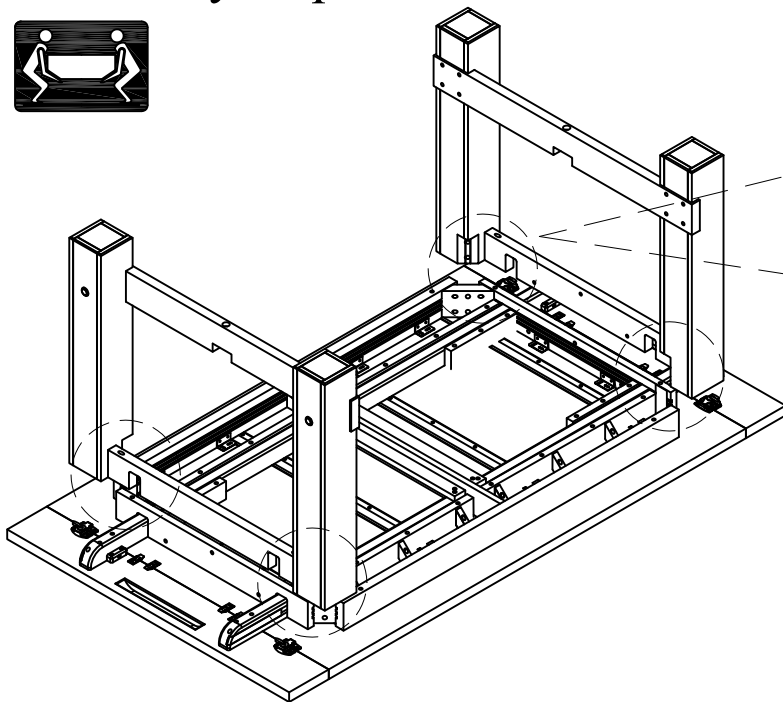
Step 1.1



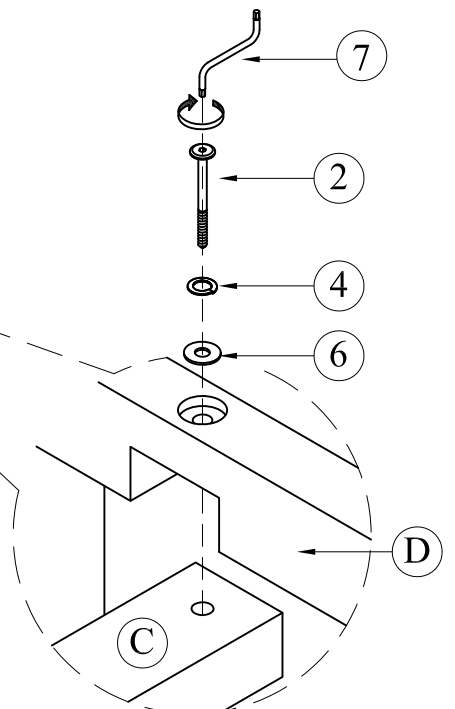
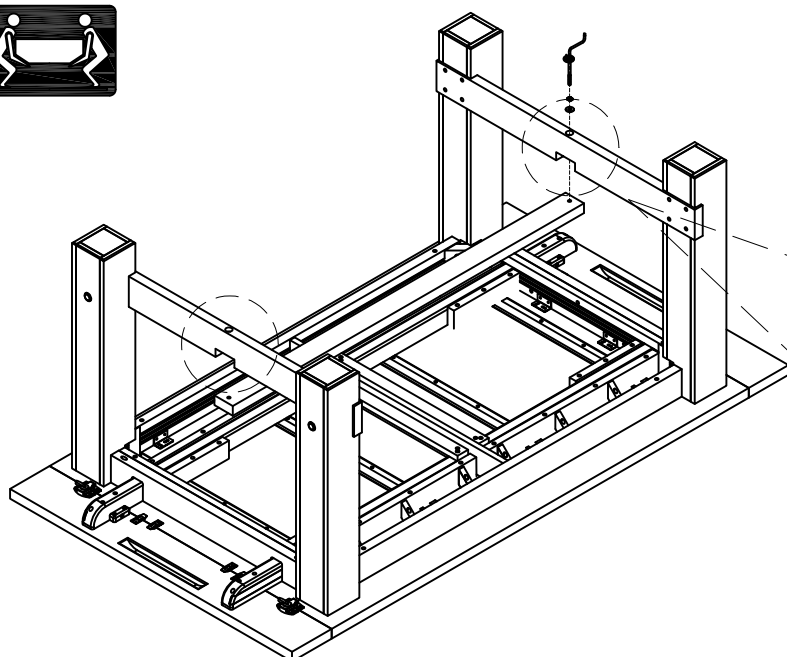
Step 1.2



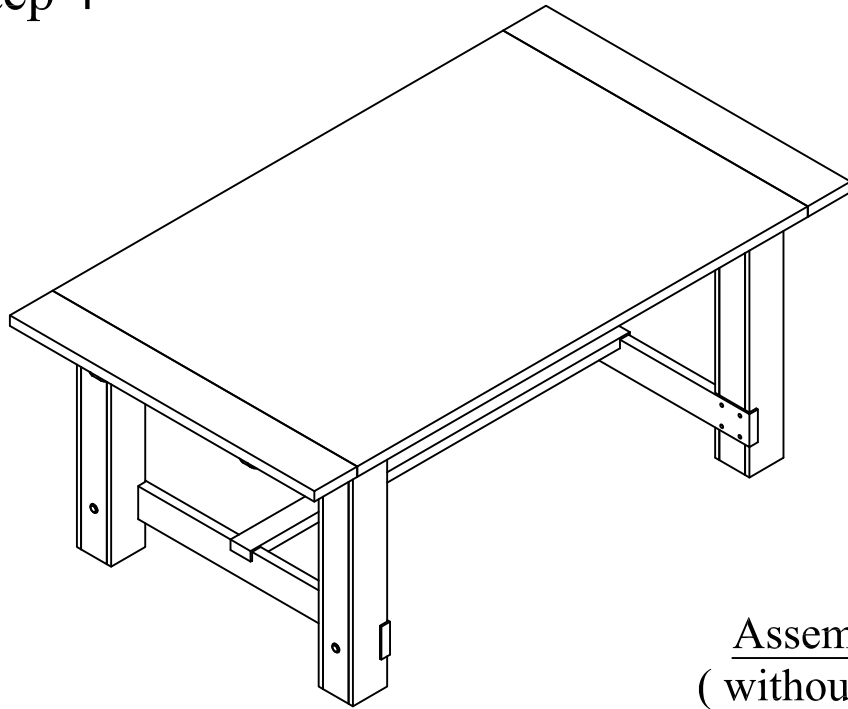
Assembly step 2



Assembly step 3

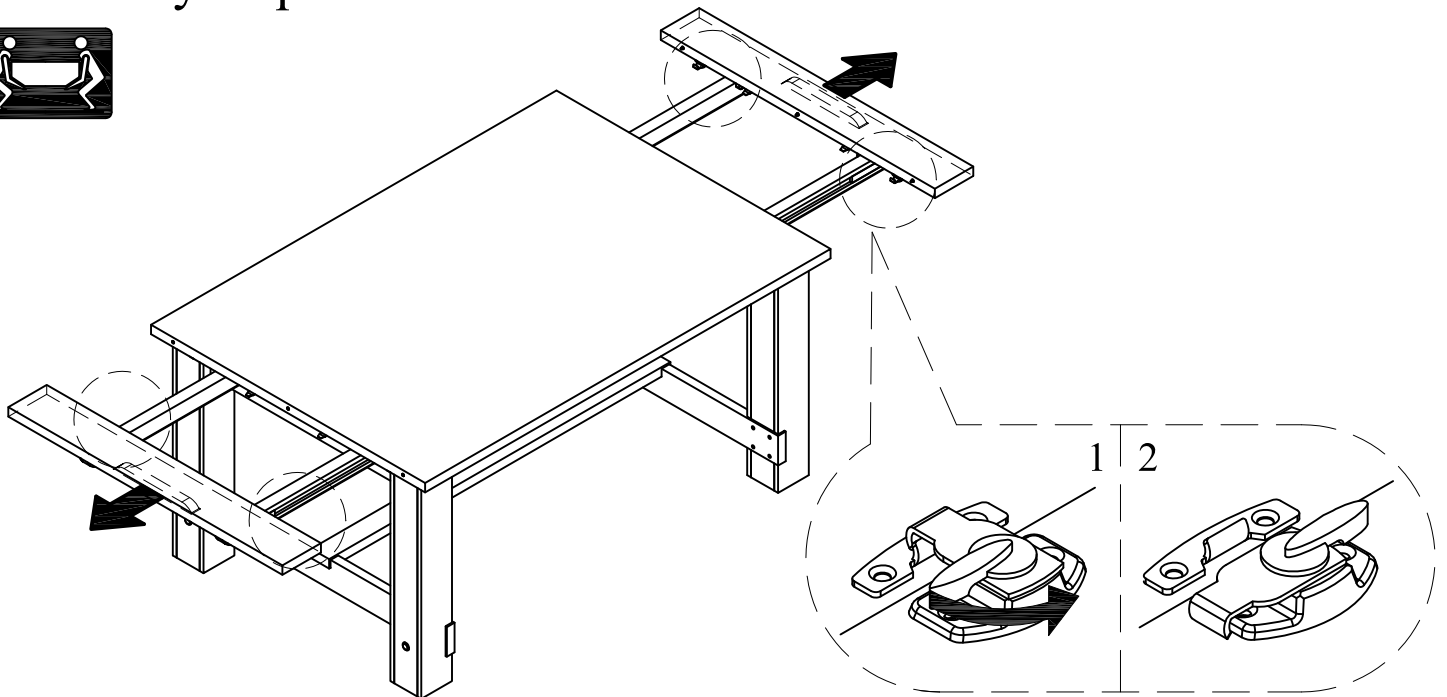


Assembly step 4

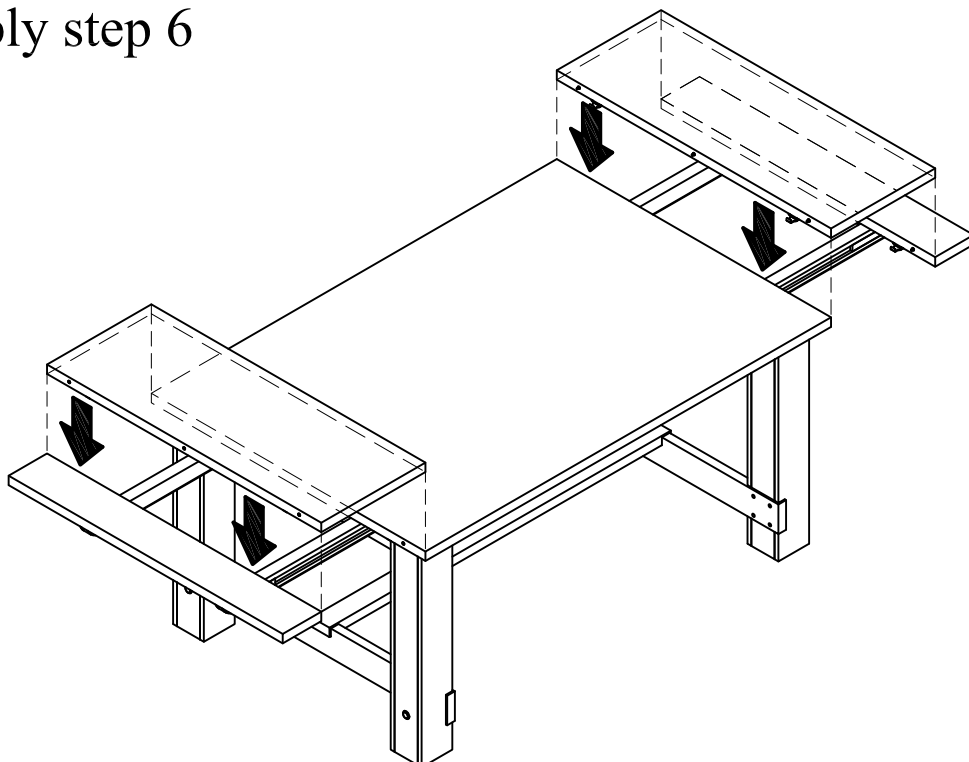


Assembly Completed
(without table extension)

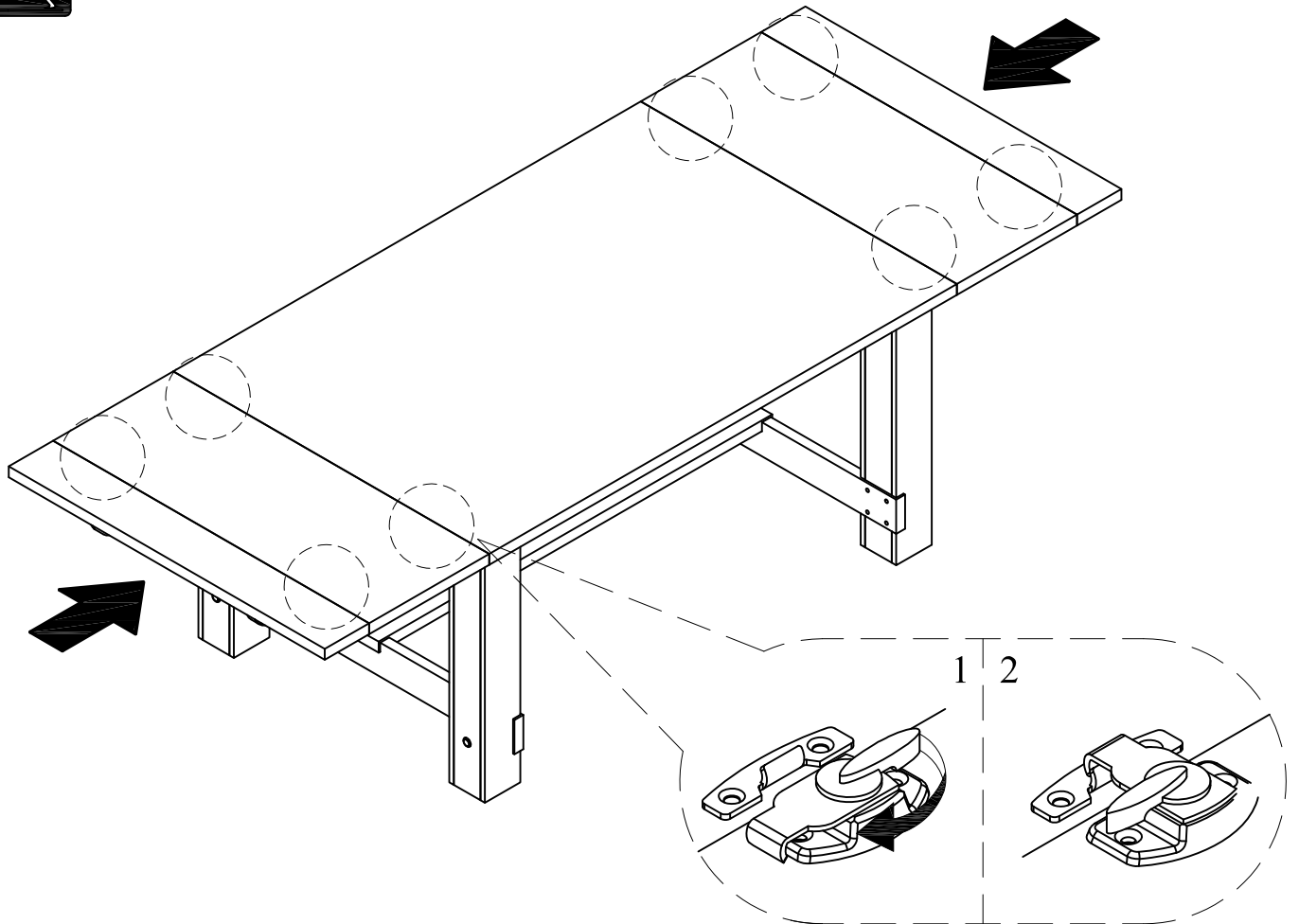
Assembly step 5



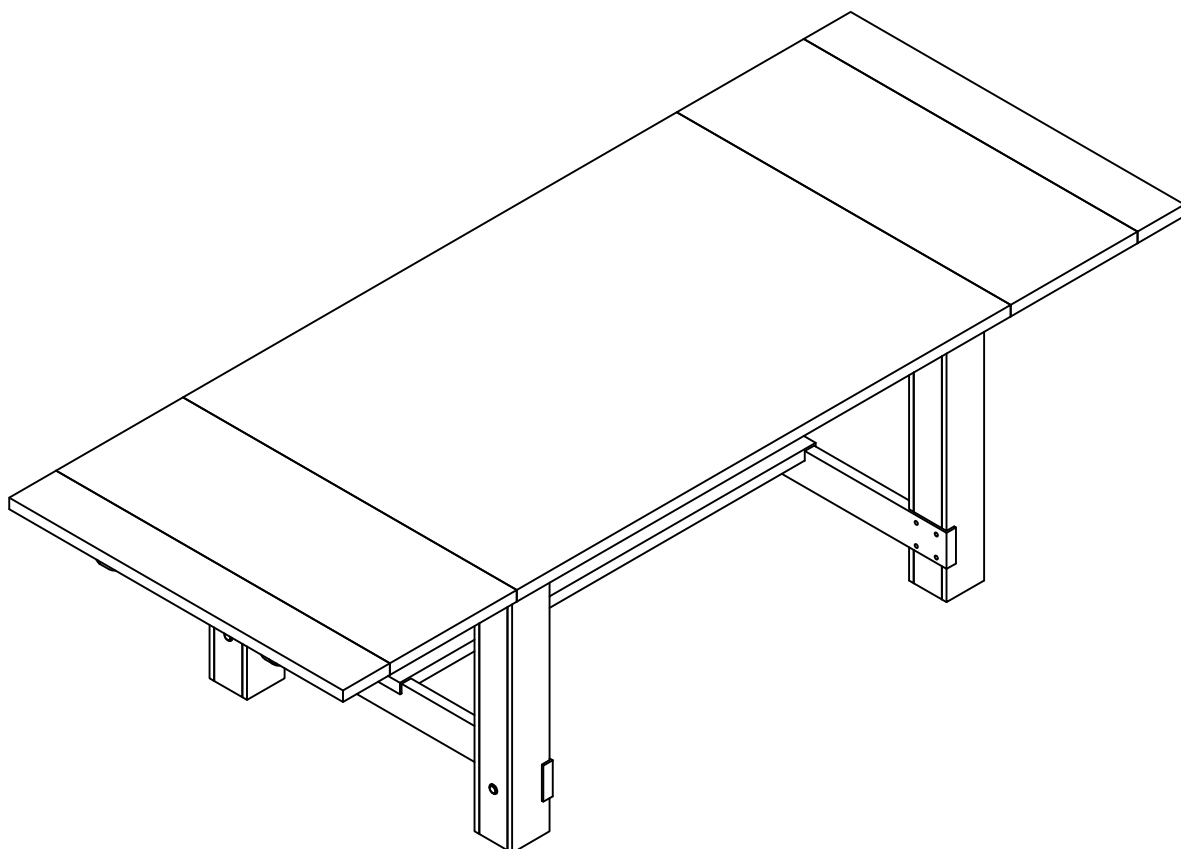
Assembly step 6



Assembly step 7



Assembly step 8



Assembly Completed
(with table extension)