
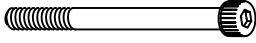


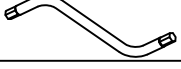

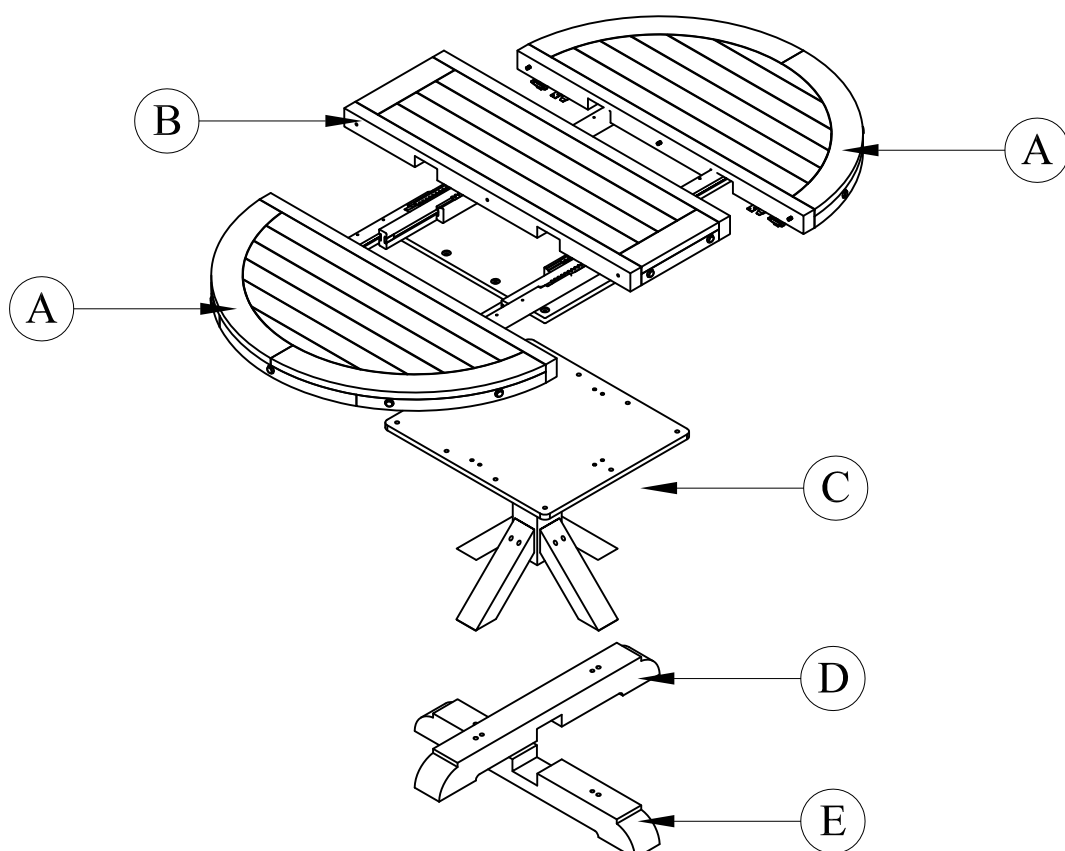


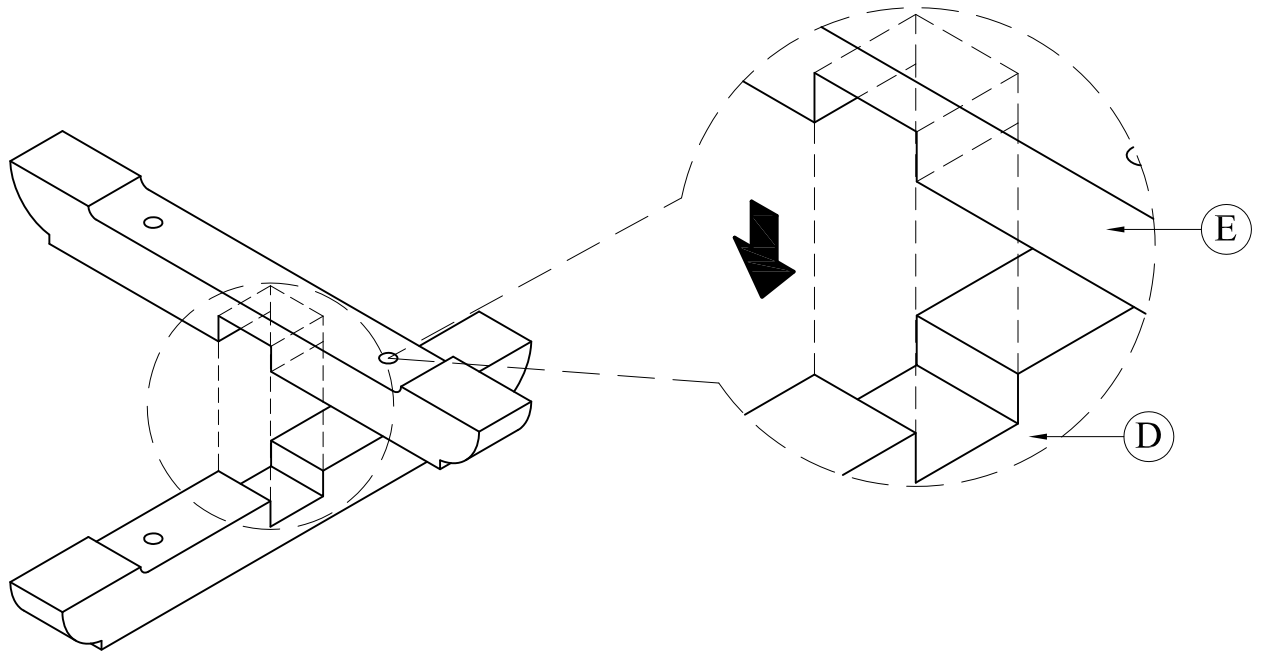
Thank you for purchasing this quality product. Be sure to check all packing material carefully for small parts, which may have come loose inside the carton during shipment. Identify and count all parts and compare with the Hardware List below.

	No.	Description	Qty
PEDESTAL TABLE TOP	A	Table top	1
	B	Table extension	1
PEDESTAL TABLE BASE	C	Pedestal leg & Mounting plate	1
	D	Upper leg	1
	E	Lower leg	1

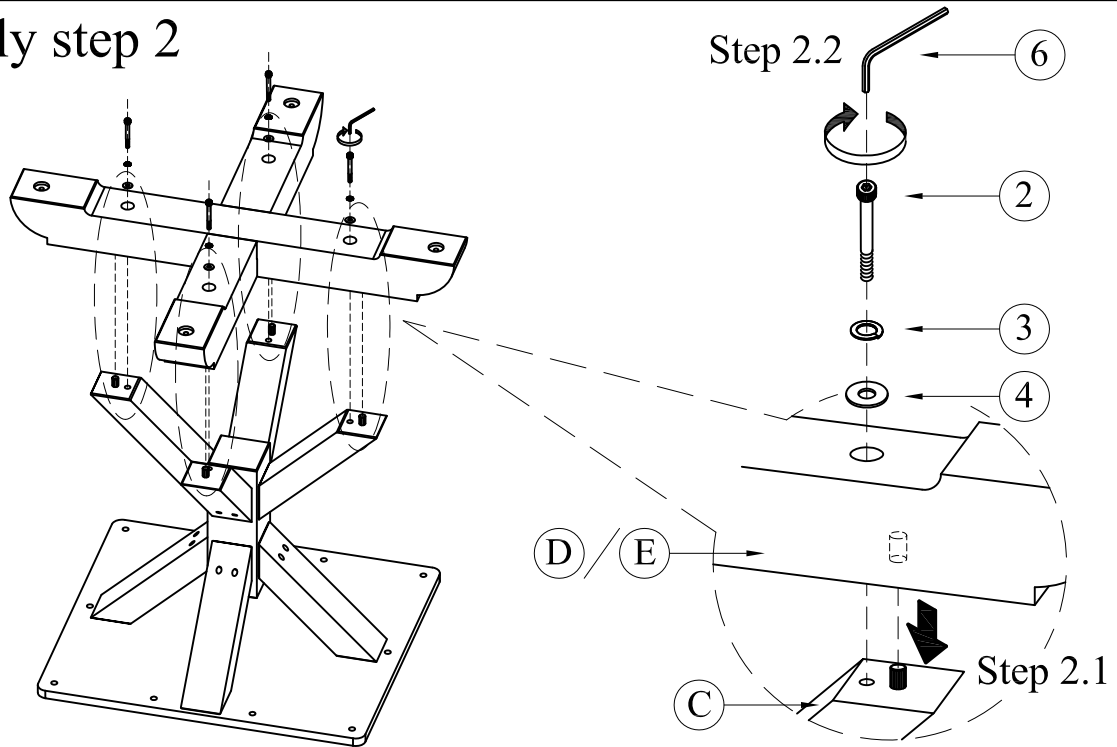
	No.	Picture	Description	Dimension	Qty
HARDWARE	1		bolt	M8 x 40 mm	10
	2		Machine bolt	M8 x 90 mm	4
	3		Lock washer	Ø13xØ8x2 mm	14
	4		Flat washer	Ø18xØ8x2 mm	14
	5		Z - Allen key	L4	1
	6		Allen key	L6	1



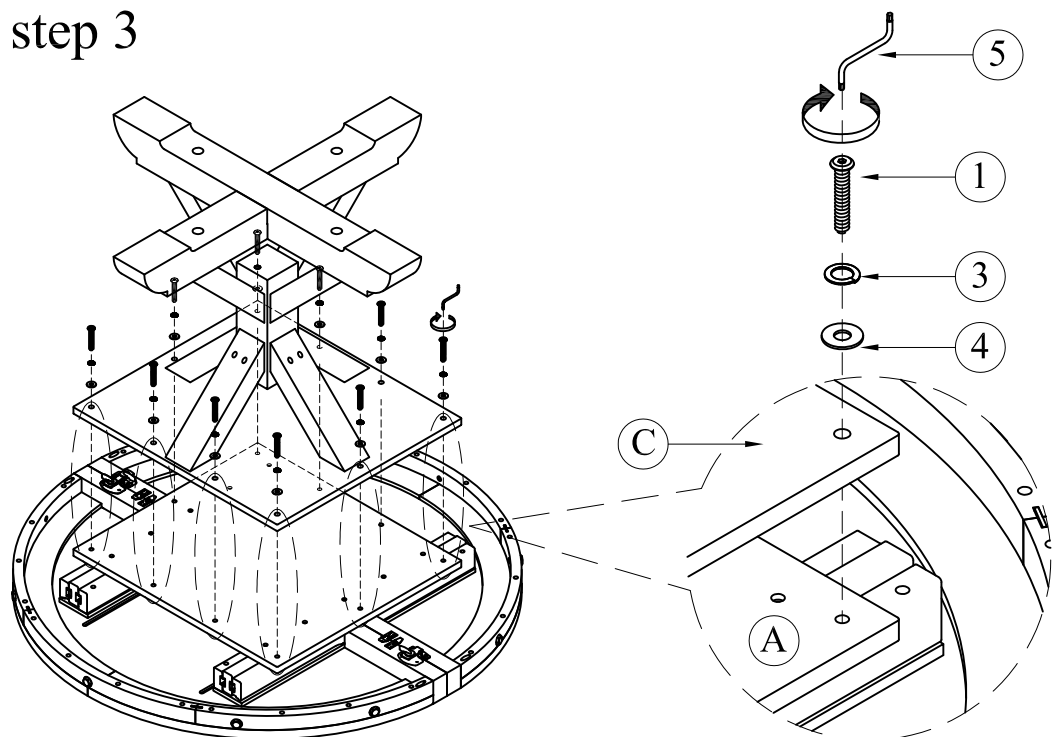
Assembly step 1



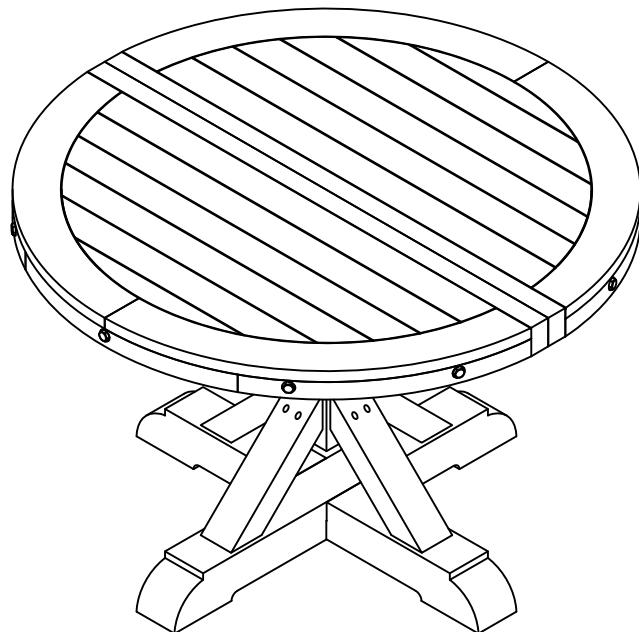
Assembly step 2



Assembly step 3

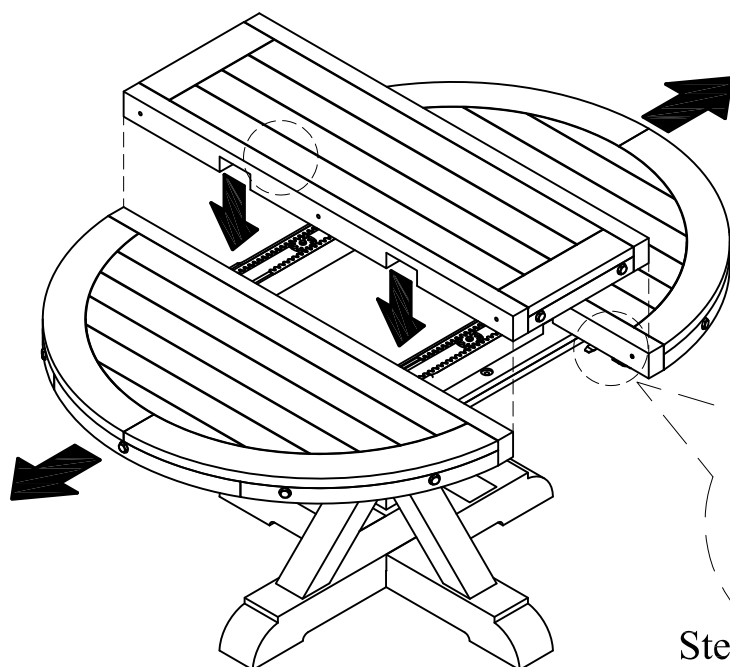


Assembly step 4



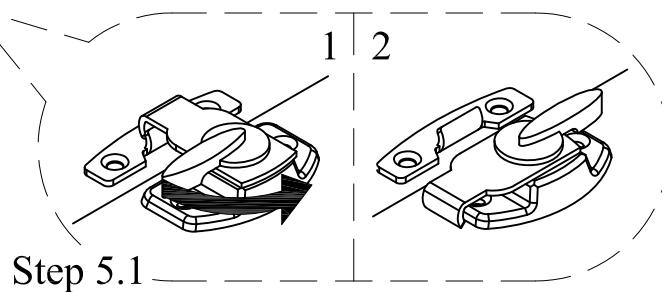
Assembly Completed
(without table extension)

Assembly step 5

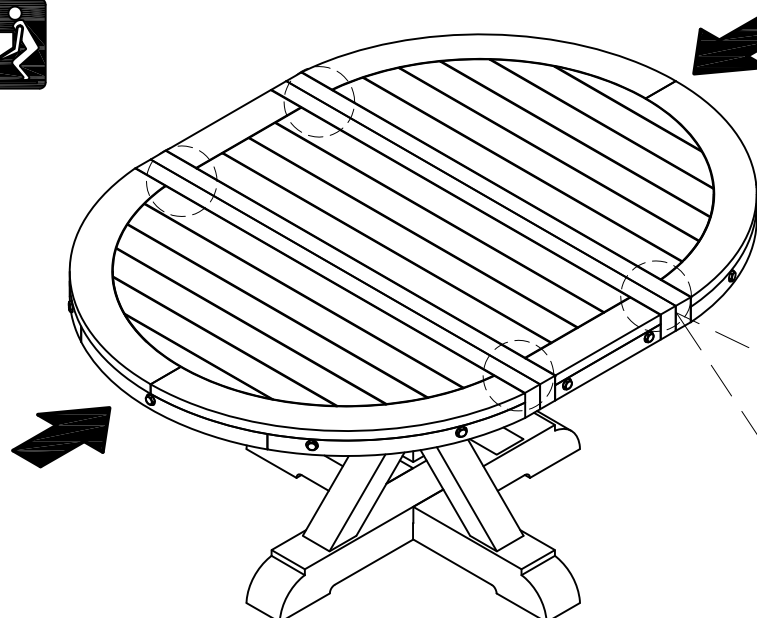


Step 5.2
Open up the table top
by pulling the ends apart

Release all the leaf lock

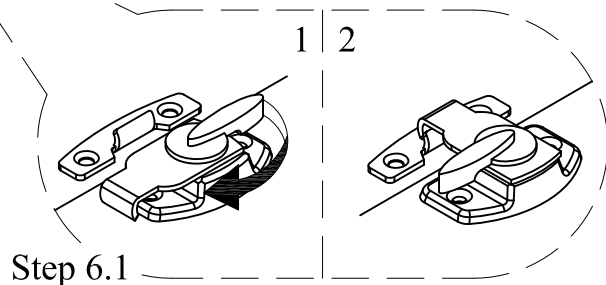


Assembly step 6

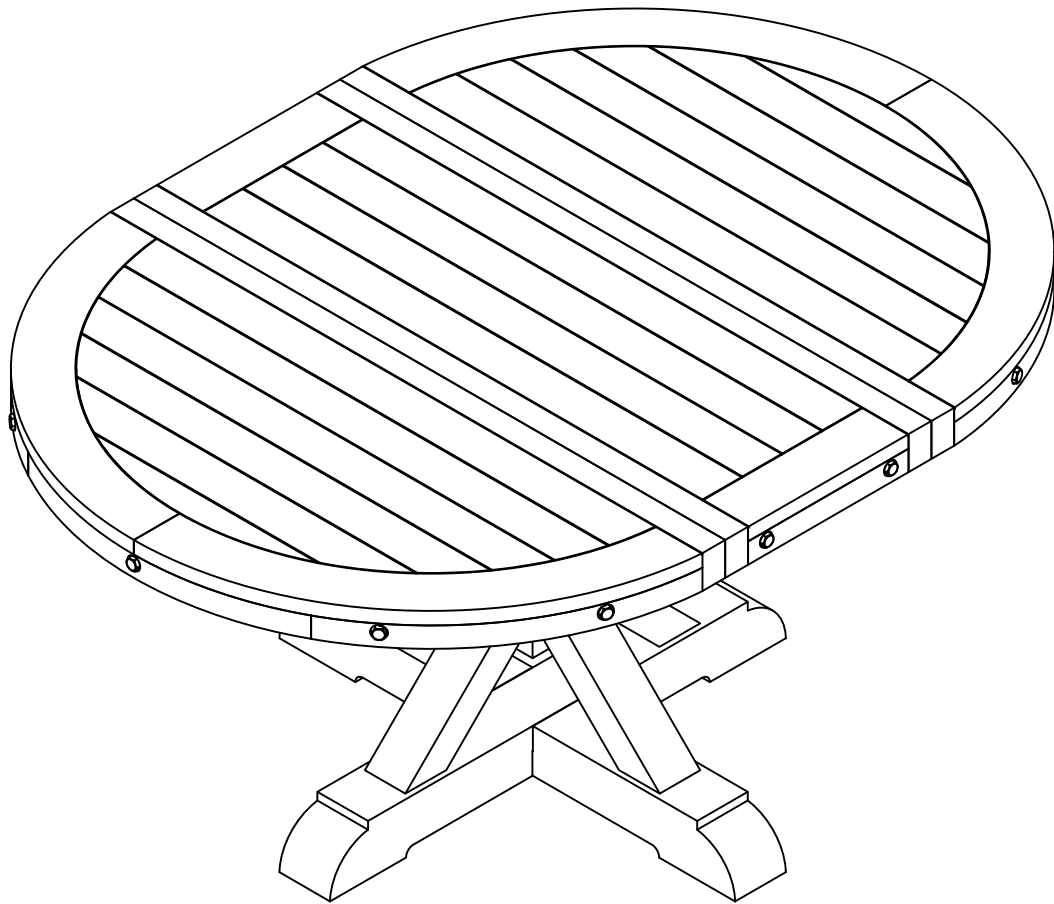


Step 6.2
push the table top
until all pins close

Close all the leaf lock



Assembly step 7



Assembly Completed
(with table extension)