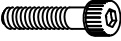
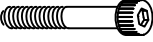
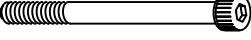



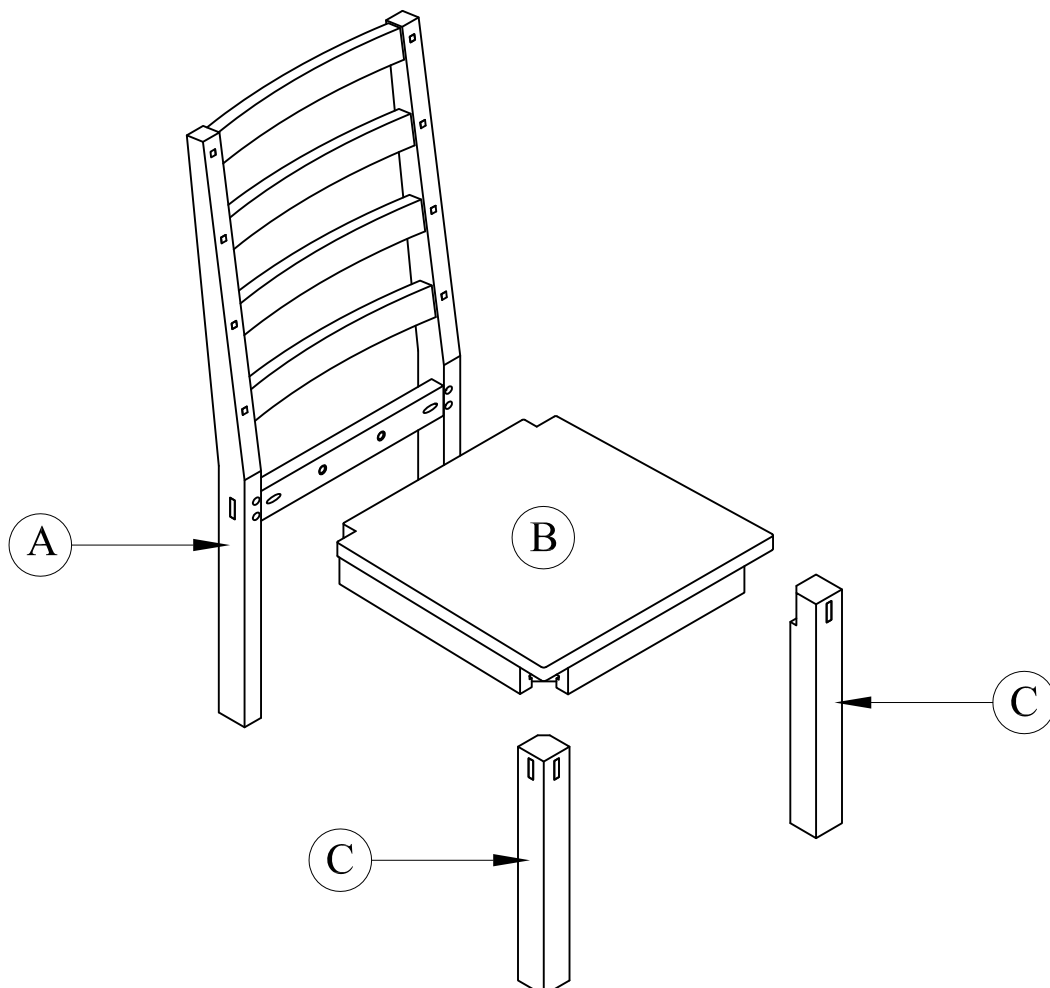


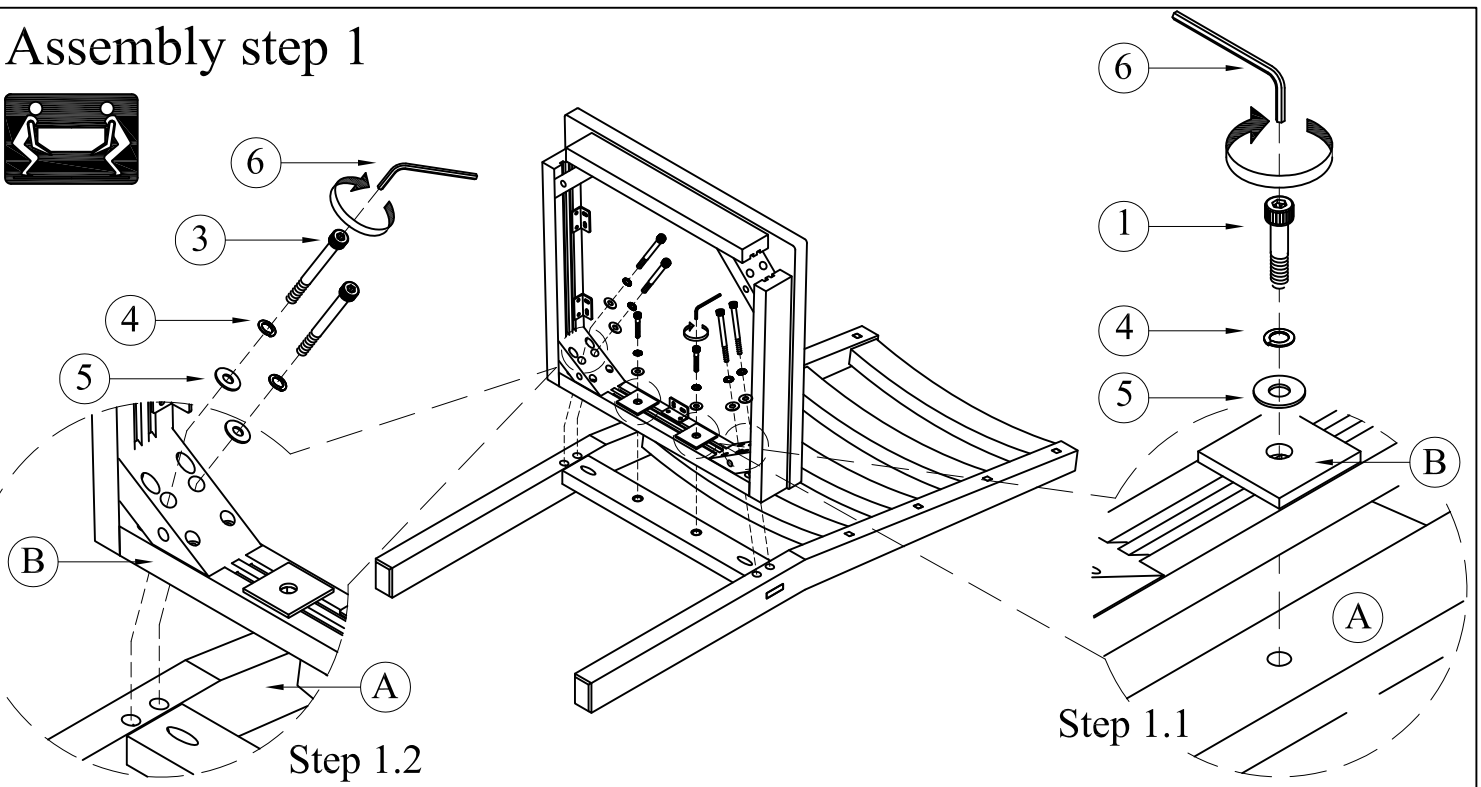
Thank you for purchasing this quality product. Be sure to check all packing material carefully for small parts, which may have come loose inside the carton during shipment. Identify and count all parts and compare with the Hardware List below.

	No.	Description	Qty
<b>SHASTA SIDE CHAIR</b>	A	Chair back	1
	B	Seat with frame	1
	C	Legs	2

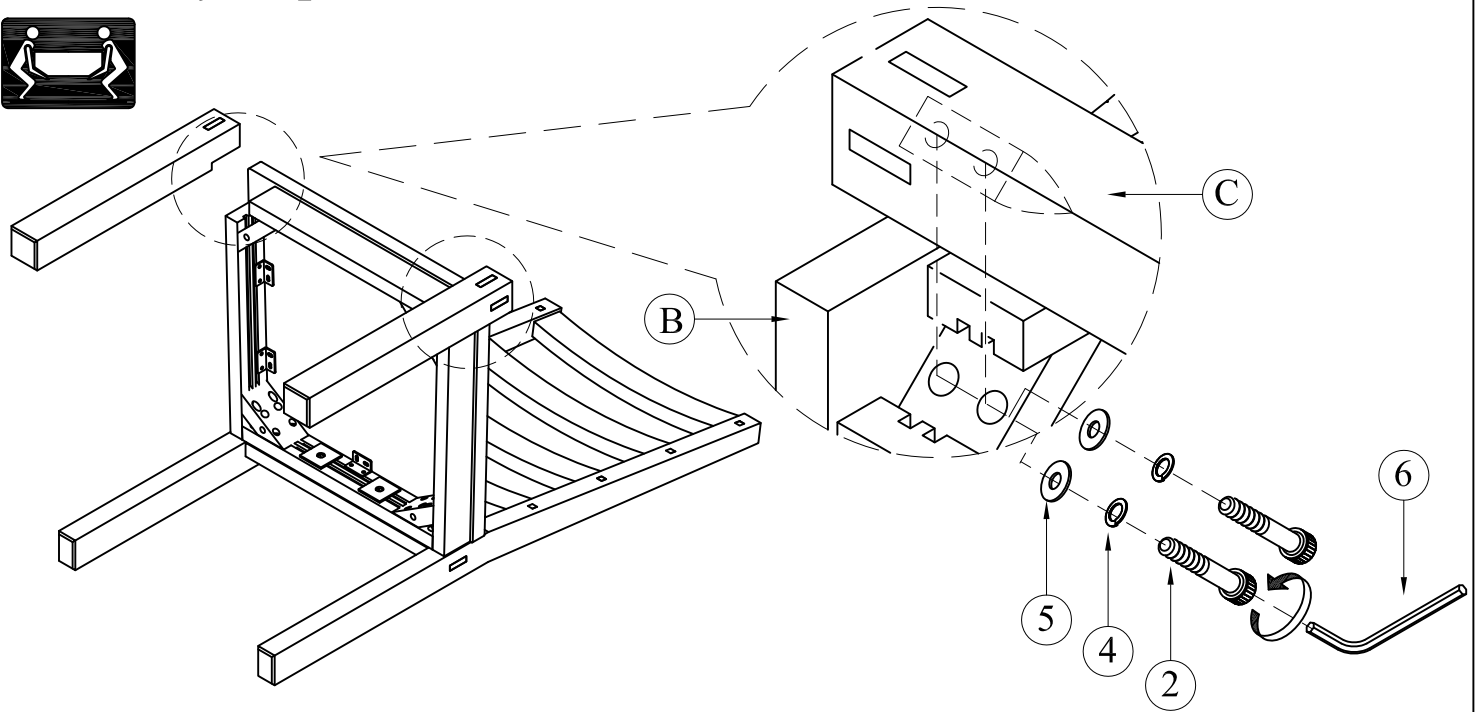
	No.	Picture	Description	Dimension	Qty
<b>HARDWARE</b>	1		Short machine bolt	M8 x 40 mm	2
	2		Medium machine bolt	M8 x 55 mm	4
	3		Long machine bolt	M8 x 100 mm	4
	4		Lock washer	Ø13xØ8x2 mm	10
	5		Flat washer	Ø18xØ8x2 mm	10
	6		Allen key	L6	1



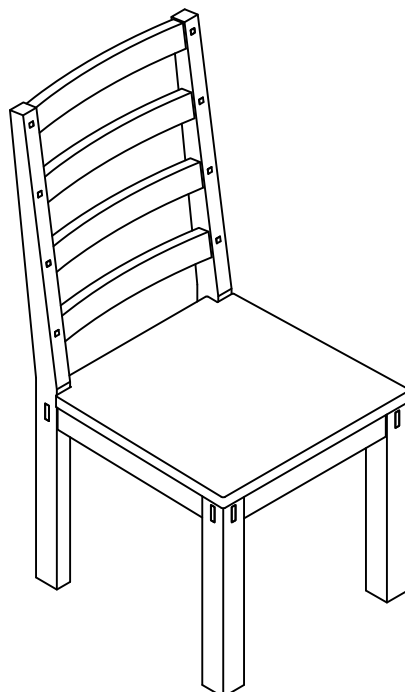
## Assembly step 1



## Assembly step 2



## Assembly step 3



Assembly Completed